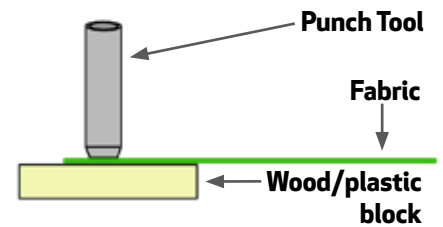


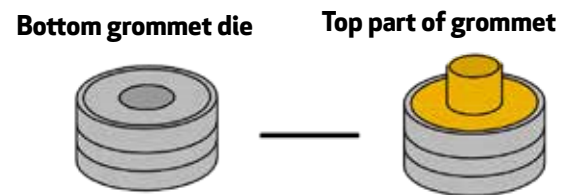
# AER-FLO®

## GROMMET REPAIR KIT

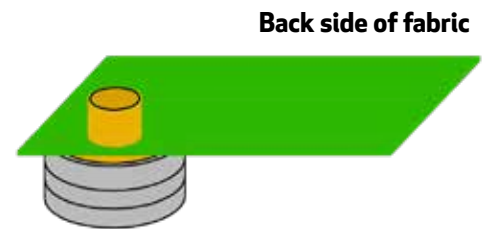
**Step 1:** Cut desired hole by placing a wood or hard plastic block under fabric to be cut. Using a flat head hammer or mallet, use punch tool provided to cut out hole.



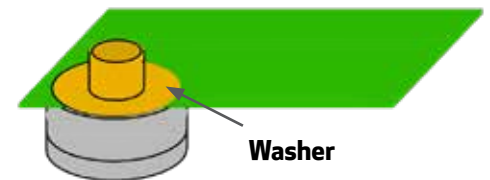
**Step 2:** Place short round bottom piece of die set on a solid surface, making sure it sits properly in the groove. Place top part of grommet on the die.



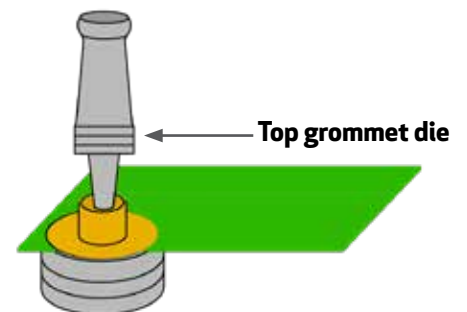
**Step 3:** With fabric back side facing up, put hole in fabric onto the grommet top.



**Step 4:** Place washer piece of grommet onto the fabric hole.



**Step 5:** Put long conical shaped top part of die into the hole and strike hard with the hammer/mallet until the two parts are seated all the way, touching both sides of fabric. There should not be a gap in two pieces of the grommet.



800-823-7356  
AerFloSports.com

